



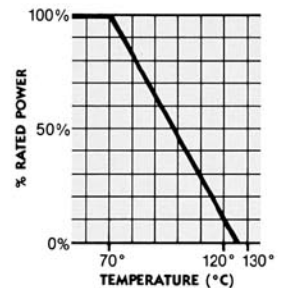
BUSHING MOUNT/SLEEVE BEARING MODEL 4705

7/8" TO 1-3/4" DIAMETER BUSHING MOUNT

HYBRID 3, 5 AND 10-TURN PRECISION POTENTIOMETERS

BUSHING MODEL	4705
ELECTRICAL	
Theoretical Electrical Travel	1080°
Normal Resistance Range	2K to 40K
Extended Resistance Range ⁽¹⁾	1K to 75K
Resistance Tolerance: Standard %	± 5
Best Practical %	± 3
Power Rating At 70°C, Derating To 0 at 125°C (Watts)	5.0
Linearity, Independent, Tolerance, Standard %	± 0.2
Best Practical %	± 0.06
Output Smoothness Max. (% Of Applied Voltage)	0.2
End Voltage Max. (% Of Total Applied Voltage)	0.25
Insulation Resistance At 500 VDC, Min. (Megohms)	1000
Dielectric Withstanding Voltage (Volts RMS)	1000
Max. Applied Voltage (Volts DC) ⁽²⁾	1000
Temperature Coefficient Of Potentiometer, Max. %/°C	± .007
Tap Spacing Minimum	13°
MECHANICAL	
Total Mechanical Travel	1080° + 10° - 0°
Mechanical Life, Shaft Revolutions	2 million
Ganged Cups, Max. (Number)	3
Taps, Max., Excluding End Terminations	52
Moment Of Inertia, Per Cup (gm-cm ²)	7
Weight: Single Cup (oz.)	3.3
Each Additional Cup (oz.)	1.6
Torque, Max. Per Cup (oz.-in)	1.5
Pilot Diameter Runout, Max.	.0015
Lateral Runout, Max.	.0025
Shaft Runout, Max.	.001
Shaft Radial Play, Max.	.002
Shaft End Play, Max.	.005
Dimension For Each Additional Cup	.943 ± .005
Stop Strength Static (oz.-in)	1000
ENVIRONMENTAL	
Temperature Range (°C) Standard	-55 to +125

- (1) All specifications listed apply to units with a total resistance within the normal resistance range. Higher or lower resistances may require some degradation of listed specifications because of resistance material composition.
- (2) Not to exceed specified power rating.



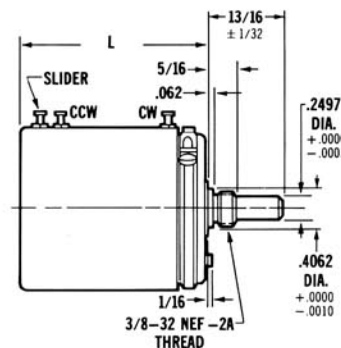
ALL MODELS are manufactured to meet or exceed applicable characteristics of MIL-R-39023. For MILITARY-APPROVED (QPL) Listings, see page 52.

TOLERANCES UNLESS OTHERWISE SPECIFIED:

FRACTIONAL: ± 1/64" DECIMAL: ± .005" ANGULAR: ± 1°

LENGTHS

MODEL	NUMBER OF TURNS	LENGTH DIMENSION L
4205		.960 ± .006
4206	3	.960 ± .006
4605		1.148 ± .007
4705		1.148 ± .007
4208	5	1.103 ± .006
4209		1.103 ± .006
4202		1.460 ± .006
4203		1.460 ± .006
4232	10	1.460 ± .006
4233		1.460 ± .006
4602		1.925 ± .007
4702		1.925 ± .007



4705

