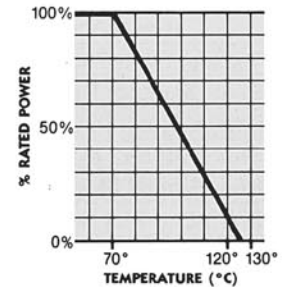


**BUSHING MOUNT/SLEEVE BEARING
MODEL 1702**

**WIREWOUND SINGLE-TURN
PRECISION POTENTIOMETERS**

| BUSHING MODEL | 1702 |
|---|----------------------------|
| ELECTRICAL | |
| Actual Electrical Travel | 356° ± 1° |
| Normal Resistance Range | 100Ω to 75K |
| Extended Resistance Range (1) | 25Ω to 200K |
| Resistance Tolerance: Standard % | ± 3 |
| Best Practical % | ± 1 |
| Power Rating At 70°C, Derating To 0 At 125°C (Watts) | 5.0 |
| Linearity, Independent, Tolerance, Standard % | ± 0.2 |
| Best Practical % | ± 0.08 |
| Equivalent Noise Resistance (ENR) Max. (Ohms) | 100 |
| End Voltage Max. (% Of Total Applied Voltage) | Within linearity tolerance |
| Insulation Resistance At 500 VDC, Min. (Megohms) | 1000 |
| Dielectric Withstanding Voltage (Volts RMS) | 1000 |
| Max. Applied Voltage (Volts DC)(2) | 400 |
| Temperature Coefficient Of Potentiometer, Max. % / °C | ± .007 |
| MECHANICAL | |
| Total Mechanical Travel | 360° Continuous |
| Mechanical Life, Shaft Revolutions | 2 million |
| Ganged Cups, Max (Number) | 8 |
| Taps, Max., Excluding End Terminations | 26 |
| Moment Of Inertia, Per Cup (gm-cm ²) | 5.0 |
| Weight: Single Cup (oz) | 3.3 |
| Each Additional Cup (oz) | 1.0 |
| Torque, Max. Per Cup (oz.-in) | 1.5 |
| Pilot Diameter Runout, Max. | .0015 |
| Lateral Runout, Max. | .004 |
| Shaft Runout, Max. | .001 |
| Shaft Radial Play, Max. | .003 |
| Shaft End Play, Max. | .005 |
| Dimension For Each Additional Cup | .562 ± .002 |
| ENVIRONMENTAL | |
| Temperature Range (°C) Standard | - 55 to + 125 |

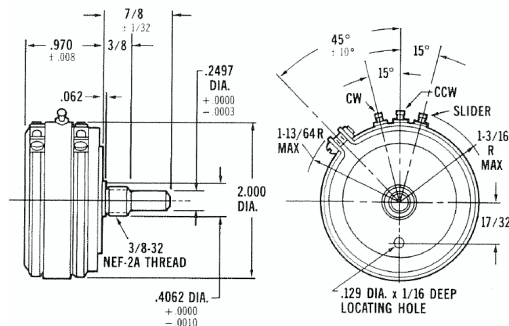
- (1) All specifications listed apply to units with a total resistance within the normal resistance range. Higher or lower resistances may require some degradation of listed specifications because of resistance wire composition or size.
- (2) Not to exceed specified power rating.



THEORETICAL RESOLUTION—For typical coil characteristics by model number and resistance value, see Resolution Tables, page 52.
ALL MODELS are manufactured to meet or exceed applicable characteristics of MIL-R-12934. For **MILITARY-APPROVED (QPL)** Listings, see page 52.

TOLERANCES UNLESS OTHERWISE SPECIFIED:
 FRACTIONAL: ± 1/64" DECIMAL: ± .005" ANGULAR: ± 1°

1702



Tel: 805-968-0782 / 800-350-2727 | Fax: 805-968-3154 / 800-960-2726
 7230 Hollister Ave., Goleta, CA 93117-2807 | www.beisensors.com