

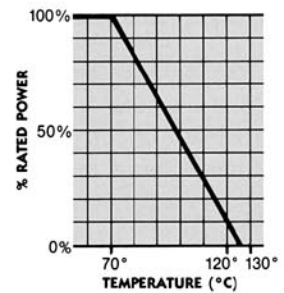
# CONDUCTIVE PLASTIC SINGLE-TURN PRECISION POTENTIOMETERS



SERVO MOUNT/BALL BEARING  
MODEL 1321

SERVO MODEL	1321
<b>ELECTRICAL</b>	
Theoretical Electrical Travel	320°
Normal Resistance Range	500Ω to 35K
Extended Resistance Range <sup>(1)</sup>	500Ω to 100K
Resistance Tolerance: Standard %	± 10
Best Practical %	± 5
Power Rating At 70°C, Derating To 0 At 125°C (Watts)	0.75
Linearity, Independent, Tolerance, Standard %	± 0.4
Best Practical %	± 0.15
Output Smoothness Max. (% Of Applied Voltage)	0.1
End Voltage Max. (% Of Total Applied Voltage)	0.5
Insulation Resistance At 500 VDC, Min. (Megohms)	1000
Dielectric Withstanding Voltage (Volts RMS)	1000
Max. Applied Voltage (Volts DC) <sup>(2)</sup>	400
Temperature Coefficient Of Potentiometer, Max. %/°C	-.07
<b>MECHANICAL</b>	
Total Mechanical Travel	360° Continuous
Mechanical Life, Shaft Revolutions	50 million
Ganged Cups, Max. (Number)	6
Taps, Max., Excluding End Terminations	9
Moment Of Inertia, Per Cup (gm-cm <sup>2</sup> )	0.2
Weight: Single Cup (oz.)	0.8
Each Additional Cup (oz.)	0.5
Torque, Max. Per Cup (oz.-in)	0.15
Pilot Diameter Runout, Max.	.0015
Lateral Runout, Max.	.0015
Shaft Runout, Max.	.001
Shaft Radial Play, Max.	.002
Shaft End Play, Max.	.0015
Dimension For Each Additional Cup	.500 ± .002
<b>ENVIRONMENTAL</b>	
Temperature Range (°C) Standard	-55 to +125

- (1) All specifications listed apply to units with a total resistance within the normal resistance range. Higher or lower resistances may require some degradation of listed specifications because of resistance material composition.
- (2) Not to exceed specified power rating.

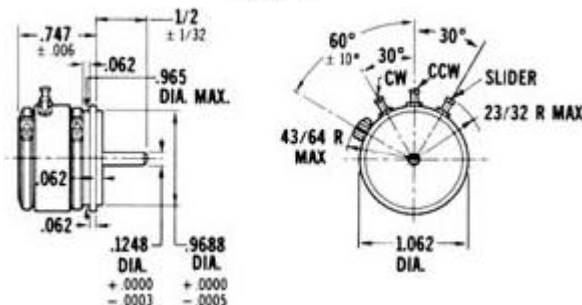


ALL MODELS are manufactured to meet or exceed applicable characteristics of MIL-R-39023. For MILITARY-APPROVED (QPL) Listings, see page 52.

**TOLERANCES UNLESS OTHERWISE SPECIFIED:**

FRACTIONAL: ± 1/64" DECIMAL: ± .005" ANGULAR: ± 1°

## 1321



Tel: 805-968-0782 / 800-350-2727 | Fax: 805-968-3154 / 800-960-2726  
7230 Hollister Ave., Goleta, CA 93117-2807 | [www.beisensors.com](http://www.beisensors.com)